



Application area

- In flour mills to increase the rate of flour yield
- To separate the fine flour adhere to the bran

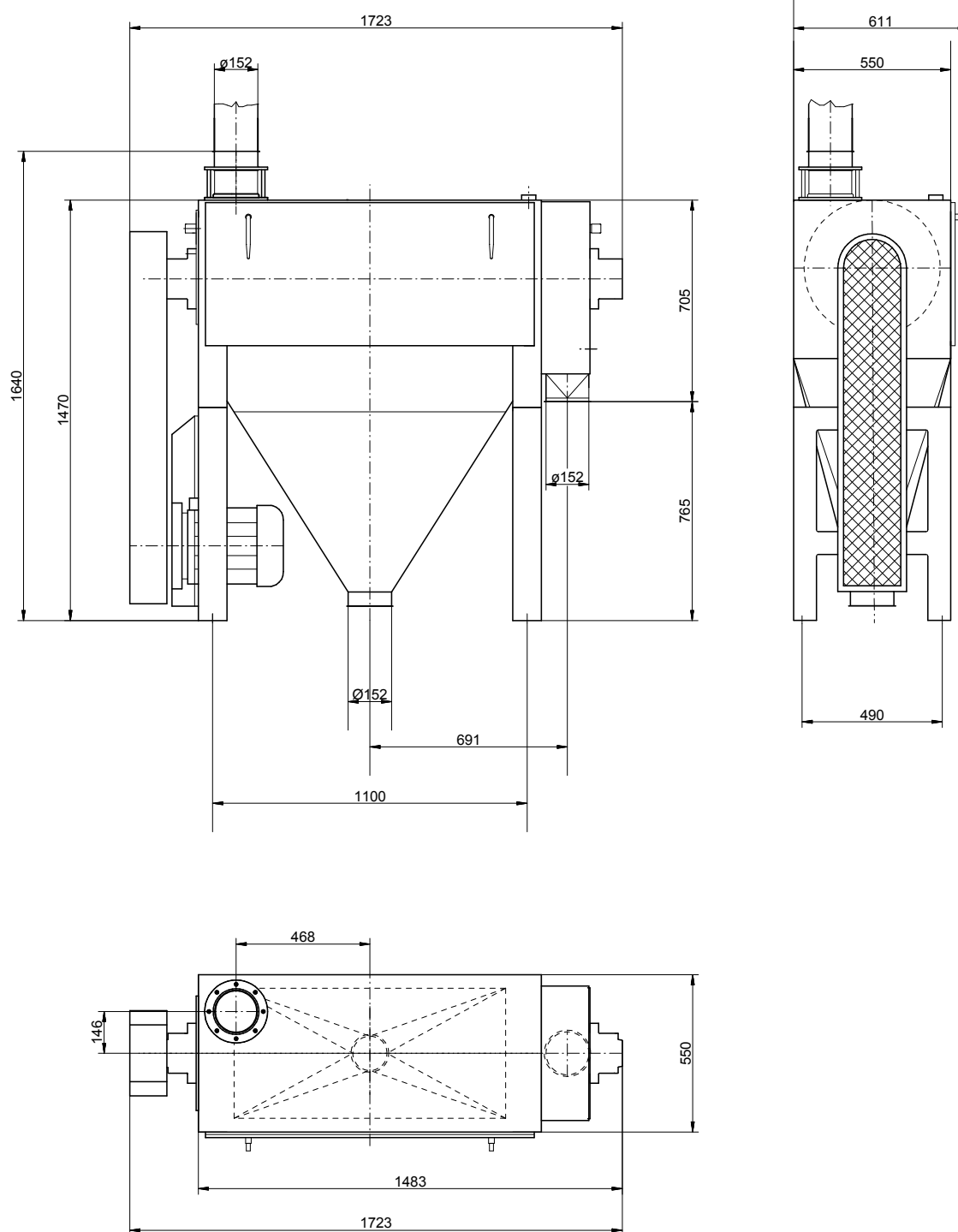
Principle of operation

- The bran with adhered flour is guided to the working space and gripped by four rotating beaters and dashed to the screening jacket
- The screening jacket is designed as polygon, so the bran particles are accelerated and decelerated alternately. Because of this intensive treatment, the flour separates from the bran
- Product discharging either by gravity or pneumatically. In case of discharging by gravity, the bran duster needs a connection with aspiration

Main features

- Compact construction with low space requirement
- Rotor star with beater star and beater
- Adjustable gap between beaters and screening jacket
- Easy changing of the screening jacket by quick clamps
- Housing with inspection door for process monitoring and maintenance
- Motor with motor plate
- ATEX conformity available on request

Bran duster KL 450 x 1100



Type	Through put	Sieve dimensions		Air requirement	Driving power	Weight
	Bran (kg/h)	Diameter (mm)	Length (mm)			
KL 450 x 1100	900 - 1800	470	1050	7	7,5	320

We reserve the right to make technical modifications.
MMW 2011/07