

## Area of application

- assembly or disassembly and transport of the rollers of MMW roller mills type:

WS 4,  
WS 8,  
GM 421/1 and GM 421/2

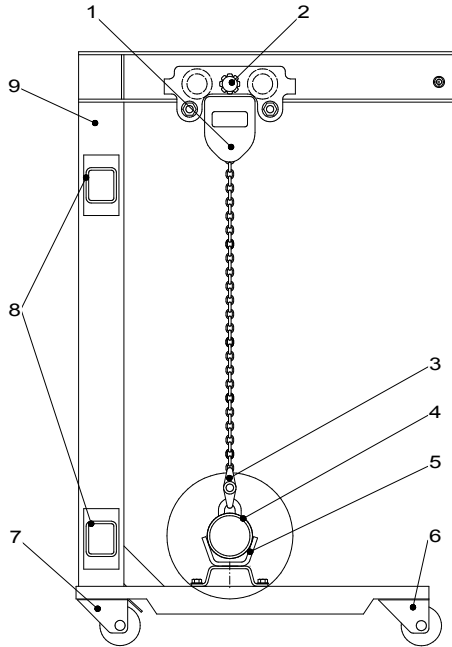
## Principle of operation

- The MTE consists of two sides, which are connected by cross members and each of them carry a spur wheel chain block
- With the restoring pots would the axle arm of the grinding roller affiliated
- Interlock and affiliation are used to fix the grinding roller
- Of the four steerable transport rolling equipment are carried out with two pieces double stop

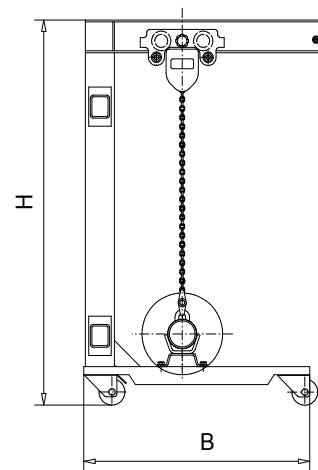
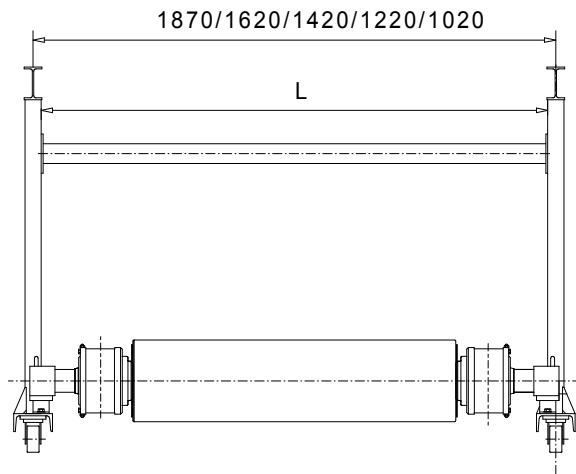
## Main features

- drivable and steerable frame which is adapted to the dimensions of the roller mill type
- two lockable chain block with affiliation for the grinding roller axle arm
- operation and transportation security for the discarded grinding roller

# Assembly and Transport Device Type MTE 98



- 1 spur gear block and tackle
- 2 locking unit
- 3 chain link
- 4 suspension cup
- 5 support
- 6 transport device roller
- 7 transport device roller with double stop
- 8 lateral strut
- 9 side section



		WS 8			GM 421/1, GM 421/2, WS 4				
<b>Length of the roller</b>	(mm)	800	1000	1250	400	600	800	1000	1250
<b>Total length MTE 98</b>	(mm)	1420	1620	1870	1020	1220	1420	1620	1870
<b>Length L</b>	(mm)	1370	1570	1820	970	1170	1370	1570	1820
<b>Width B</b>	(mm)	700			700				
<b>Height H</b>	(mm)	1580			1180				
<b>Weight</b>	(kg)	ca. 1080			ca. 1030				

We reserve the right to make technical modifications.  
MMW 2011/07