



Application area

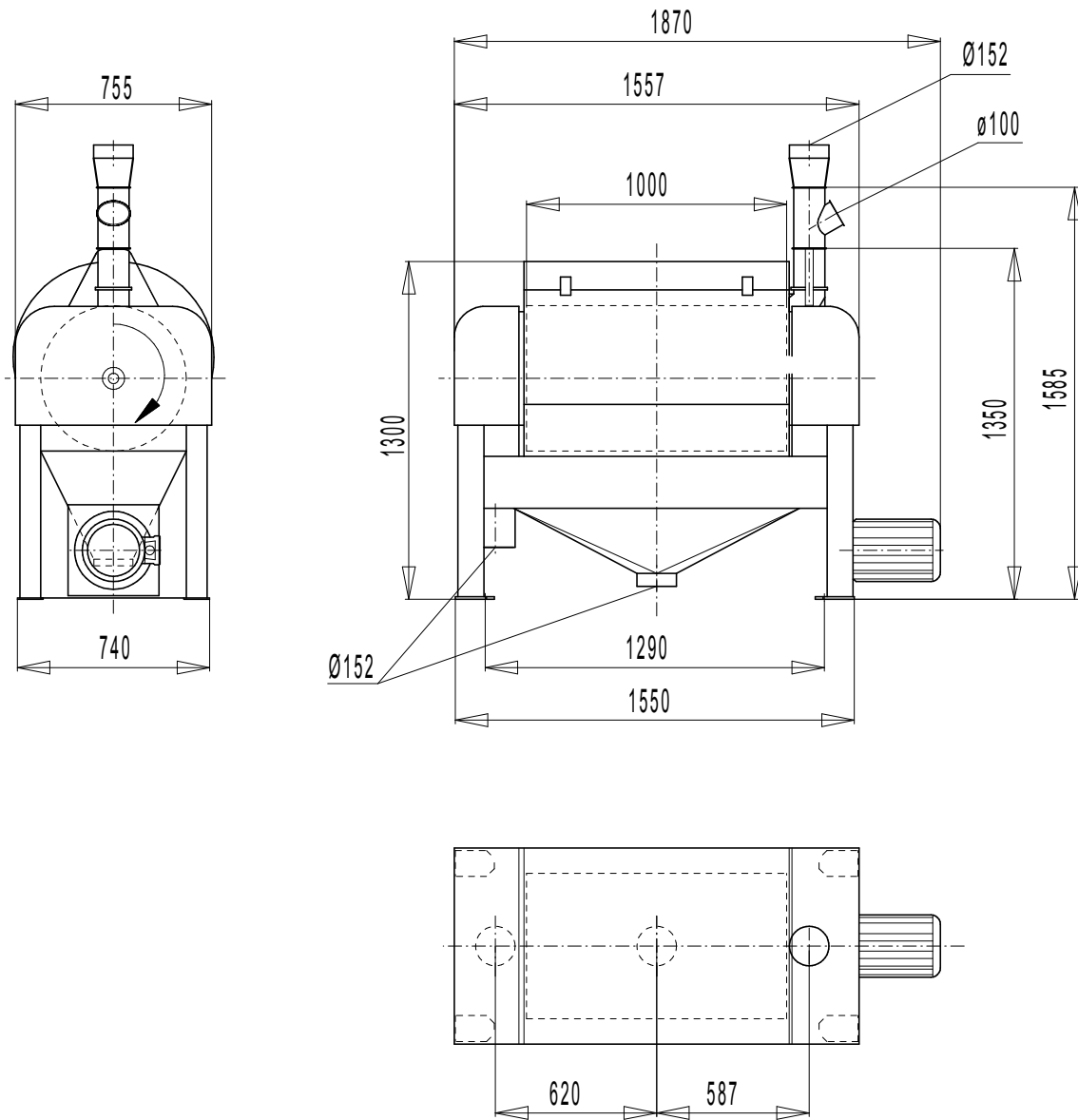
- In flour mills to increase the rate of flour yield
- To separate the fine flour adhere to the bran
- Adhered and difficult to remove flour particles are separated from the bran by intensive sifting and are supplied to the flour

Principle of operation

- The product is guided to the working space and gripped by four rotating beaters
- Due to the high speed beaters, the product will be thrown to the screening jacket and sifted
- Because of the eccentric bearing, the screening jacket is vibrating and keeps the screen clean
- The design of the beaters effect conveying of the bran to the outlet
- The flour get through the screening jacket into the outlet

Main features

- Compact construction
- Easy handling and low maintenance
- Solid workmanship by welded steel construction
- Efficient self-cleaning of the screen
- Adaption of the screening depends on the application area
- Easy changing of the screening by quick clamps
- ATEX conformity available on request



Type	Throughput (t/h)	Sieve dimensions		Air requirement (m ³ /min)	Driving power (kW)	Weight (kg)
		Length (mm)	Diameter (mm)			
VS 1000	1,0 - 1,2	1000	560	4	7,5	550

We reserve the right to make technical modifications.
MMW 2011/07