

CESCO chain conveyors are designed with flexible concept and modular design, for horizontal or slightly inclined conveying of cereals, meals, pellets, and granular products in general. They realise the completely closed conveying of the product, with capability to load and unload the product, even in reversible mode, in several points, with zero loss during the conveying, easy cleaning, maintenance, and safety during operation thanks the complete bolted system used.

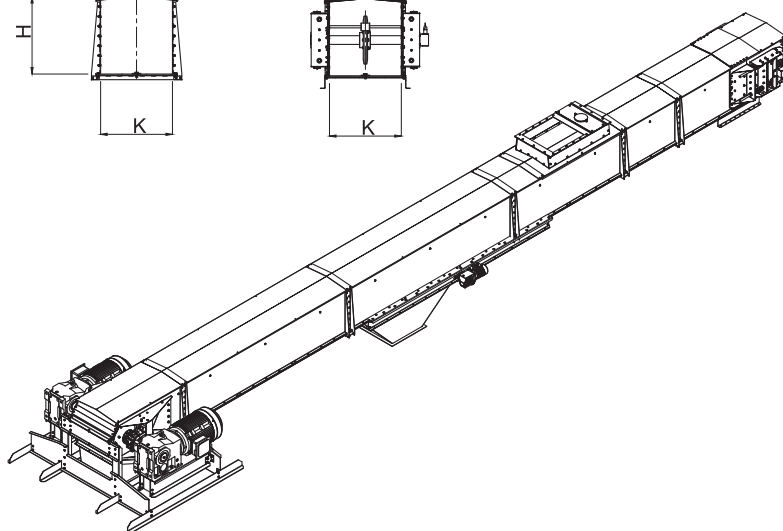
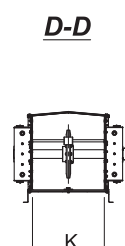
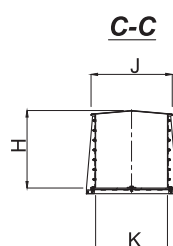
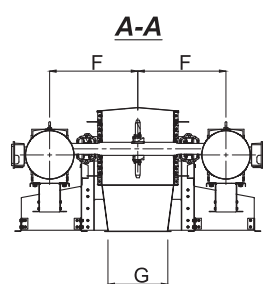
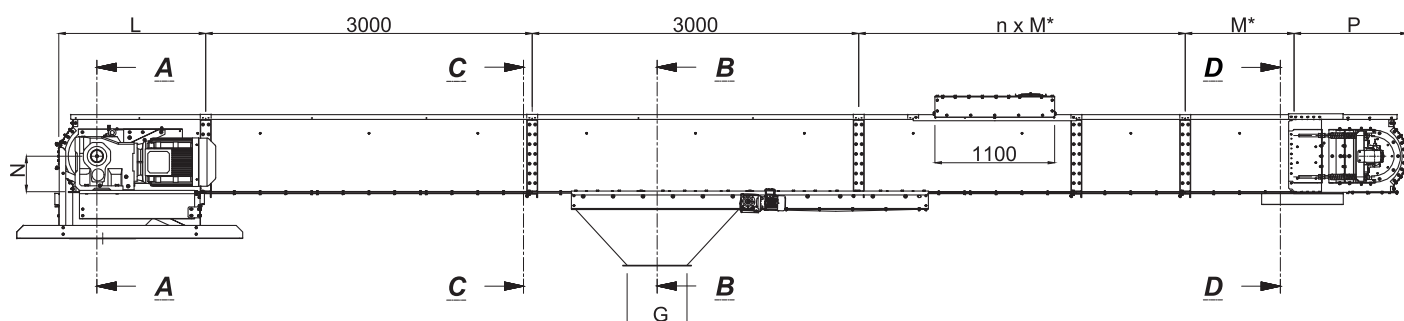
They are designed with particular attention to the shape of the internal part of the casing, in order to limit the wear, extend the life of the machine and prevent deposit of product at the end of the conveying operation.

GENERAL CHARACTERISTICS

- Drive and tail stations with rounded shape.
- Tail station equipped with screw chain adjustment and spring-loaded length and shock absorber.
- Chain sprocket bolted to the shaft and divided in 2 parts for easy maintenance.
- Chain flights equipped every 3 m with UHMW-PE scrapers.
- Supports of both the drive and the tail shaft completely external allowing easy bearing maintenance.

Technical data				
Capacity		CC550	CC650	CC900
(Bulk density 750 kg/m ³)	Nominal	400 t/h	600 t/h	1000 t/h
	Maximal	600 t/h	750 t/h	1400 t/h
Maximum lenght	Standard	60 m		
	Optional	80 m		
Drive unit	Double right angle gearmotor with backstop			
Chain speed	Up to 0.80 m/s			
Chain type (DIN8167)		M224	M315	2xM315
Sound pressure level	Up to 75 dB(A)			
Operating conditions	-15°C to +40°C ambient			

Materials		
Casing	Standard	Pre-galvanised high tensile steel S235 Z450
	Optional	Pre-galvanised S235 Z600 Hot-dip-galvanised S235 Z900 Stainless steel Painted steel
Wear resistant lining, bottom	Standard	UHMW-PE, antistatic, 10 mm
	Optional	Hardox® steel, 4 mm
Wear resistant lining, sides	Standard	UHMW-PE, antistatic, 4 mm
	Optional	Hardox® steel, 4 mm
Chain	Steel, oil coated	
Rollers on return	Steel, oil coated	
Scraper flaps	UHMW-PE, antistatic, 3 mm	
Sensors	Standard	Overflow sensor Rotation sensor
	Optional	Bearing temperature sensor
ATEX	Standard	Zone 21 inside / ATEX free outside
	Optional	Zone 21 inside / Zone 22 outside
Optional accessories	Outlet chute Inlet chute for vertical inlet Lateral self-dosing inlet Top cover for spot filters or dust aspiration chute Electrical / pneumatic / manual slides Return buckets Inspection window Supporting legs Double bottom casings Reversible drive system	



Type	F mm	G mm	H mm	J mm	K mm	L mm	N mm	P mm
CC 550	750	400x400	670	640	555	1345	330	1190
CC 650	810	550x550	710	750	660	1345	330	1190
CC 900	1110	550x550	975	990	900	1545	330	1190

M* = The casing can be 500 mm, 1000 mm, 2000 mm or 3000 mm long