

The CESCO EPC spot filter is a miniature jet filter, which can be employed for immediate suction and filtration of dust, in vertical conveying systems.

The CESCO EPC spot filter is designed for direct installation on closed or semi-closed machines for instant dust extraction and filtering, and is designed and manufactured in accordance with the EC Directive 2006/42/EC.

### GENERAL CHARACTERISTICS

- The large suction area cross-section keeps the air velocity low.
- Each filter hose can be cleaned separately.
- Easy change of filter bags through a large inspection door.
- Can be connected to a large central fan.
- As option, the fan can be supplied with a sound absorber for the exhaust air, if required.
- The filter bags are automatically cleaned by the electronic control system.
- The compressed air is supplied by standard compressed-air system, with the condition to be oil-free and dehumidified.
- The pressure is reduced through the reduction valve placed before the compressed-air inlet.
- All components including the ventilator are zinc coated.

### Principle of operation

The spot filter removes a minor quantity of air from the working machine, creating a slight negative inner pressure, which prevents dust particles from escaping through leaks or openings.

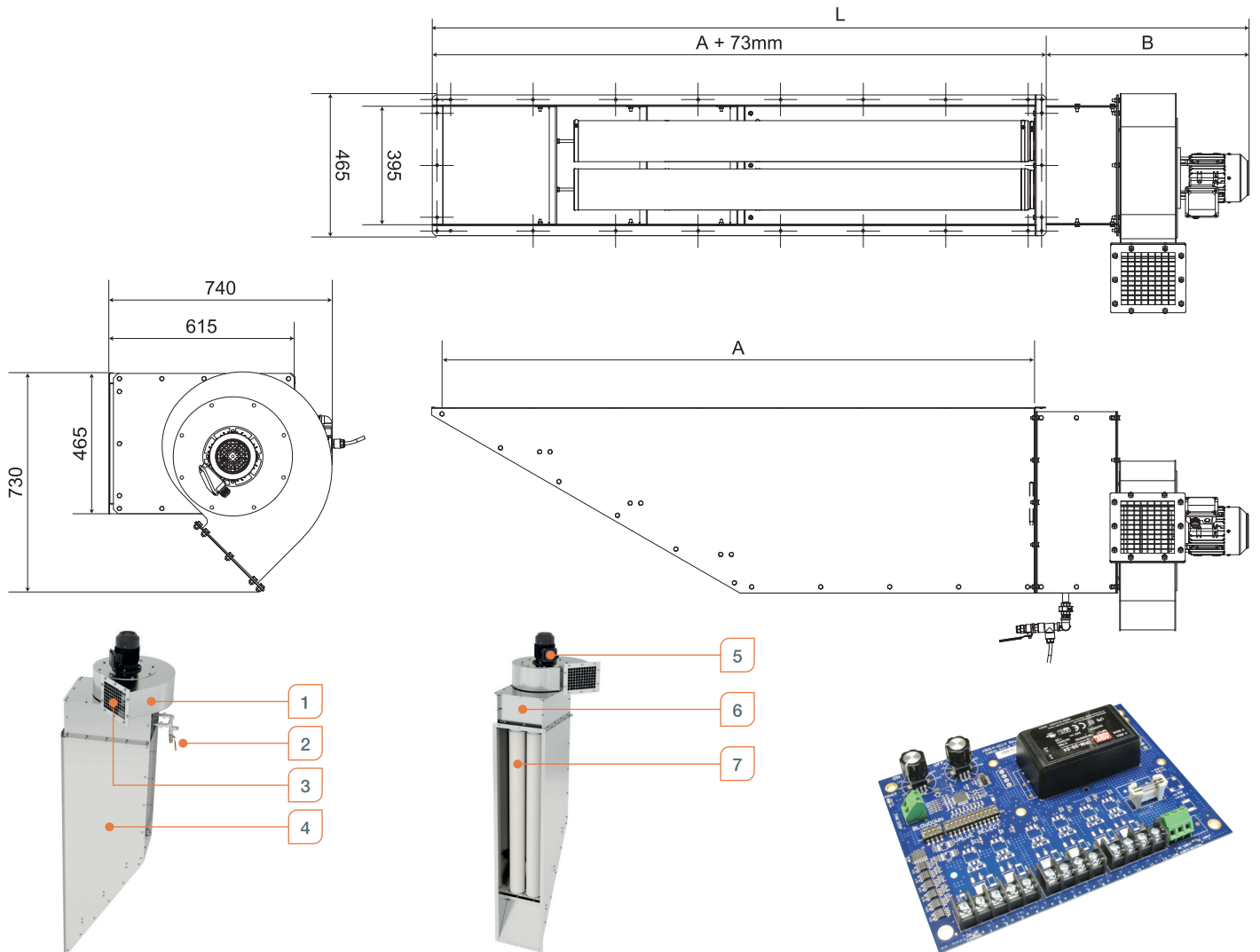
The fan produces the differential pressure needed and sucks dusty air through the filter section mounted directly on the machine and discharges the cleaned air through a pipe exhaust.

The filter bags are cleaned by means of an electronic control system with adjustable cleaning time.

The electronic control gives an impulse to one of the membrane valves at the compressed-air inlet.

The valve will send a short, but powerful compressed-air blast into the filter bag, partly "beating" and partly blowing off the dust, so the dust is separated on the outside of the filter sleeves and then returned to the product flow.

Thus, some pulsations may occur during operation, depending on the pre-set pressure and volume of the machine.



The point filter consists of the following main components, the dust air chamber [4], the clean air chamber [3] and the fan [1]. The point filter is cleaned using compressed air supplied via the central compressed air connection [2] and controlled via the filter control unit.

Depending on the length of the filter hose [7], the motor of the fan [1] is available in 3 power levels: 0,75 kW, 1,1 kW and 1,5 kW. The exhaust air outlet of the fan [1] is fitted with a protective grid [6]. Optionally, an exhaust air silencer can also be installed on this flange.

The control unit features a robust solid state construction for excellent reliability and is designed for ease of installation and operation. The on and off times for the cleaning pulse can be simply adjusted through the use of rotary analogue dials, while the microprocessor ensures the accuracy of the settings.

| Spot Filter                |                   | SFVN 6-12     | SFVN 6-19      | SFVN 6-24      |
|----------------------------|-------------------|---------------|----------------|----------------|
| Length of filter bags      | mm                | 900/1200/1500 | 1600/1900/2200 | 2100/2400/2700 |
| Filter area                | m <sup>2</sup>    | 2,9           | 4,6            | 5,8            |
| Compressed air consumption | NI/min.           | 30            | 30             | 30             |
| Dust air chamber length A  | mm                | 1960          | 2660           | 3160           |
| Fan and motor length B     | mm                | 710           | 710            | 780            |
| Length L                   | mm                | 2710          | 3410           | 3910           |
| Width W                    | mm                | 465           | 465            | 465            |
| Height H                   | mm                | 740           | 740            | 740            |
| Fan power                  | kW                | 0,75          | 1,1            | 1,5            |
| Fan capacity               | m <sup>3</sup> /h | 1300          | 1900           | 2600           |
| Weight                     | kg                | ca. 95        | ca. 130        | ca.155         |

- 1 Fan
- 2 Compressed air connection
- 3 Exhaust air outlet with grid
- 4 Dust air chamber
- 5 Motor
- 6 Clean air chamber
- 7 Filter hose and filter basket

The data reported in this table are informative.