

CESCO bucket elevators are designed with flexible concept and modular design, for the gentle vertical bulk conveying of cereal, meals, pellets, and granular products in general. They realise the completely closed conveying of the product, with zero loss during the conveying, easy cleaning, maintenance, and safety during operation thanks the complete bolted system used.

They are designed with particular attention to the rounded shape of the drive and tail station, in order to limit the wear of the cases, extend the life of the machine and limit the deposit of product at the end of the conveying operation.

CESCO has worked out a special type of low-speed bucket elevators of any standard size, to be used for all applications which require a very "gentle" treatment of the product, to limit the breakage, and to preserve the integrity of individual grains of the product.

### GENERAL CHARACTERISTICS

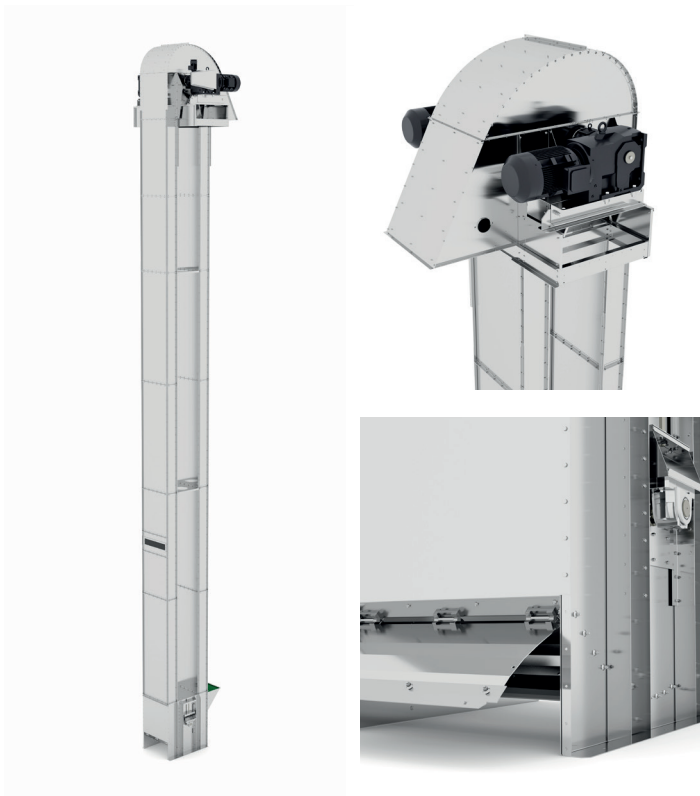
- Drive station completely self-cleaning.
- Tail station with screw belt tensioning system and on demand with spring-loaded tensioning system allowing to comply anytime with the tension of the belt.
- Hinged bilateral doors allowing easy complete cleaning of the tail station.
- Supports of both the drive and the tail shaft completely external allowing easy bearing maintenance.
- Drum of both the drive and the tail station extractable without dismounting of the casing
- Casing of the legs designed for self-supporting assembly of the elevator and equipped with bolted doors allowing easy installation and maintenance of the buckets.

### Technical data

		BBE180	BBE280	BBE330	BBE370
Capacity					
(Bulk density 750 kg/m³)	Nominal	50 t/h	100 t/h	150 t/h	200 t/h
	Maximum	60 t/h	130 t/h	200 t/h	250 t/h
Maximum height	Standard	30 m			
	Optional	50 m			
Drive unit	Standard	Single or double right angle gearmotor with backstop			
	Optional	Operated by inverter			
Belt speed	Minimum	1,8 m/s	2,1 m/s	2,1 m/s	2,1 m/s
	Maximum	2,2 m/s	2,6 m/s	2,8 m/s	3,0 m/s
Belt type		EP500/3	EP500/4		
Sound pressure level		Up to 75 dB(A)			
Operating conditions		-15°C to +40°C ambient			

### Materials

Casing	Standard	Pre-galvanised high tensile steel S235 Z450
	Optional	Pre-galvanised S235 Z600 Hot-dip-galvanised S235 Z900 Stainless steel Painted steel
Wear resistant lining	Standard	UHMW-PE, antistatic, 4 mm
	Optional	Hardox® steel, 4 mm
Belt	Standard	Oil-resistant acc. DIN22102 Self-extinguishing acc. DIN22103 Antistatic acc. DIN22104 Polyester polyamide fabrics Black color
	Optional	Food-grade White color PVC material
Buckets	Standard	HD-PE
	Optional	Mild steel Stainless steel Nylon Polyurethane
Sensors	Standard	Rotation sensor
	Optional	Misalignment sensor Overflow sensor Bearing temperature sensor Belt tensioning sensor
ATEX	Standard	Zone 21 inside / ATEX free outside
	Optional	Zone 21 inside / Zone 22 outside
Optional accessories		Inlet module Outlet module Lateral self-dosing inlet Lateral cover for spot filters or dust aspiration chute Inspection window Inspection platform with ladder Hinged explosion relief panel with sensor and chimney Thermal extension junctions Supporting legs



CESCO bucket elevators are designed with flexible concept and modular design, for the gentle vertical bulk conveying of cereal, meals, pellets, and granular products in general. They realise the completely closed conveying of the product, with zero loss during the conveying, easy cleaning, maintenance, and safety during operation thanks the complete bolted system used.

They are designed with particular attention to the rounded shape of the drive and tail station, in order to limit the wear of the cases, extend the life of the machine and limit the deposit of product at the end of the conveying operation.

CESCO has worked out a special type of low-speed bucket elevators of any standard size, to be used for all applications which require a very "gentle" treatment of the product, to limit the breakage, and to preserve the integrity of individual grains of the product.

### GENERAL CHARACTERISTICS

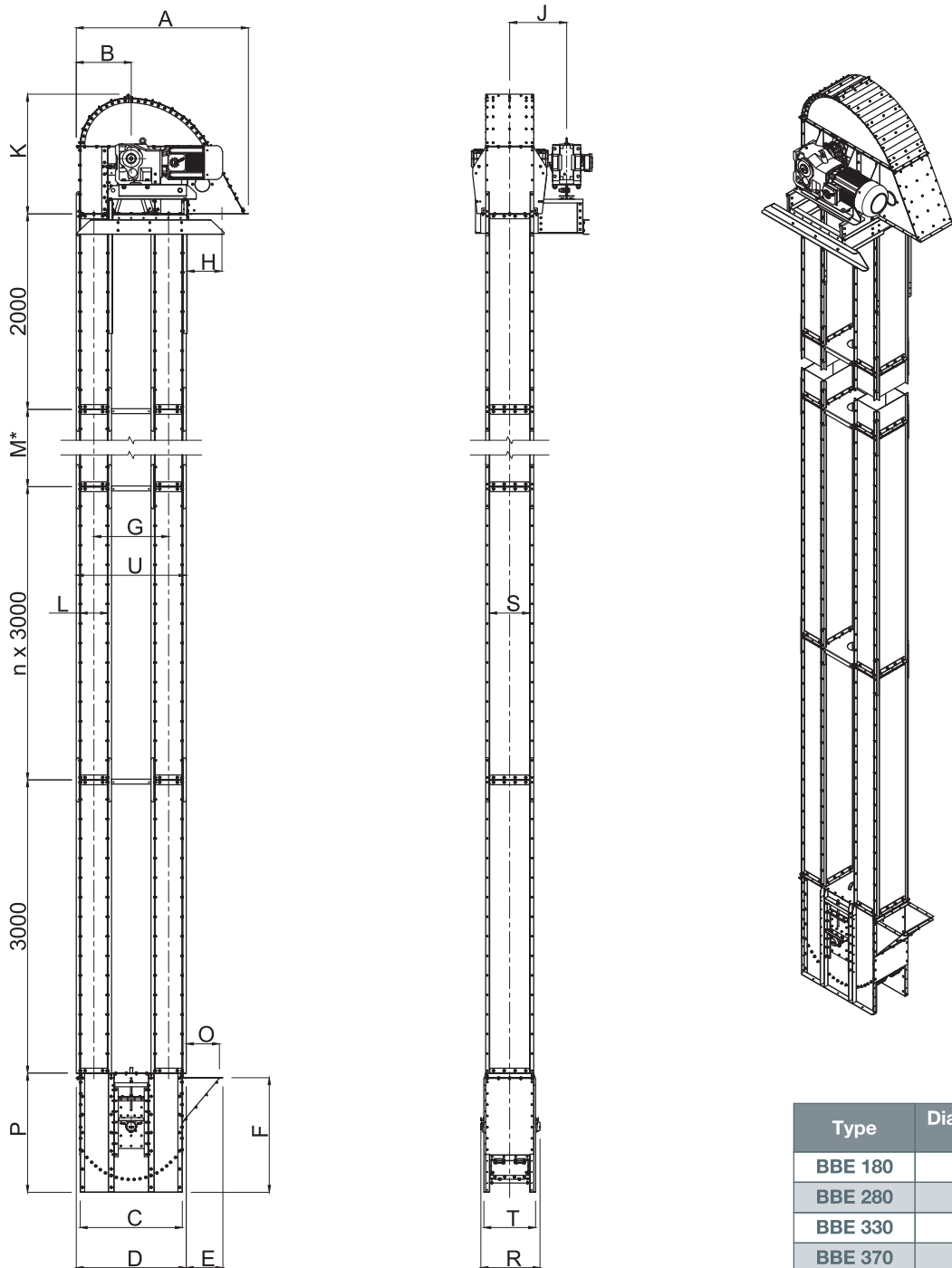
- Drive station completely self-cleaning.
- Tail station with screw belt tensioning system and on demand with spring-loaded tensioning system allowing to comply anytime with the tension of the belt.
- Hinged bilateral doors allowing easy complete cleaning of the tail station.
- Supports of both the drive and the tail shaft completely external allowing easy bearing maintenance.
- Drum of both the drive and the tail station extractable without dismounting of the casing
- Casing of the legs designed for self-supporting assembly of the elevator and equipped with bolted doors allowing easy installation and maintenance of the buckets.

### Technical data

Capacity		BBE660	BBE900	BBE1550
(Bulk density 750 kg/m³)	Nominal	400 t/h	600 t/h	1000 t/h
	Maximum	500 t/h	750 t/h	1200 t/h
Maximum height	Standard	30 m		
	Optional	50 m		
Drive unit	Standard	Double right angle gearmotor with backstop		
	Optional	Operated by inverter		
Belt speed	Minimum	2,5 m/s	2,8 m/s	2,8 m/s
	Maximum	3,0 m/s	3,3 m/s	3,5 m/s
Belt type		EP500/4	EP500/4	EP500/4
Sound pressure level		Up to 75 dB(A)		
Operating conditions		-15°C to +40°C ambient		

### Materials

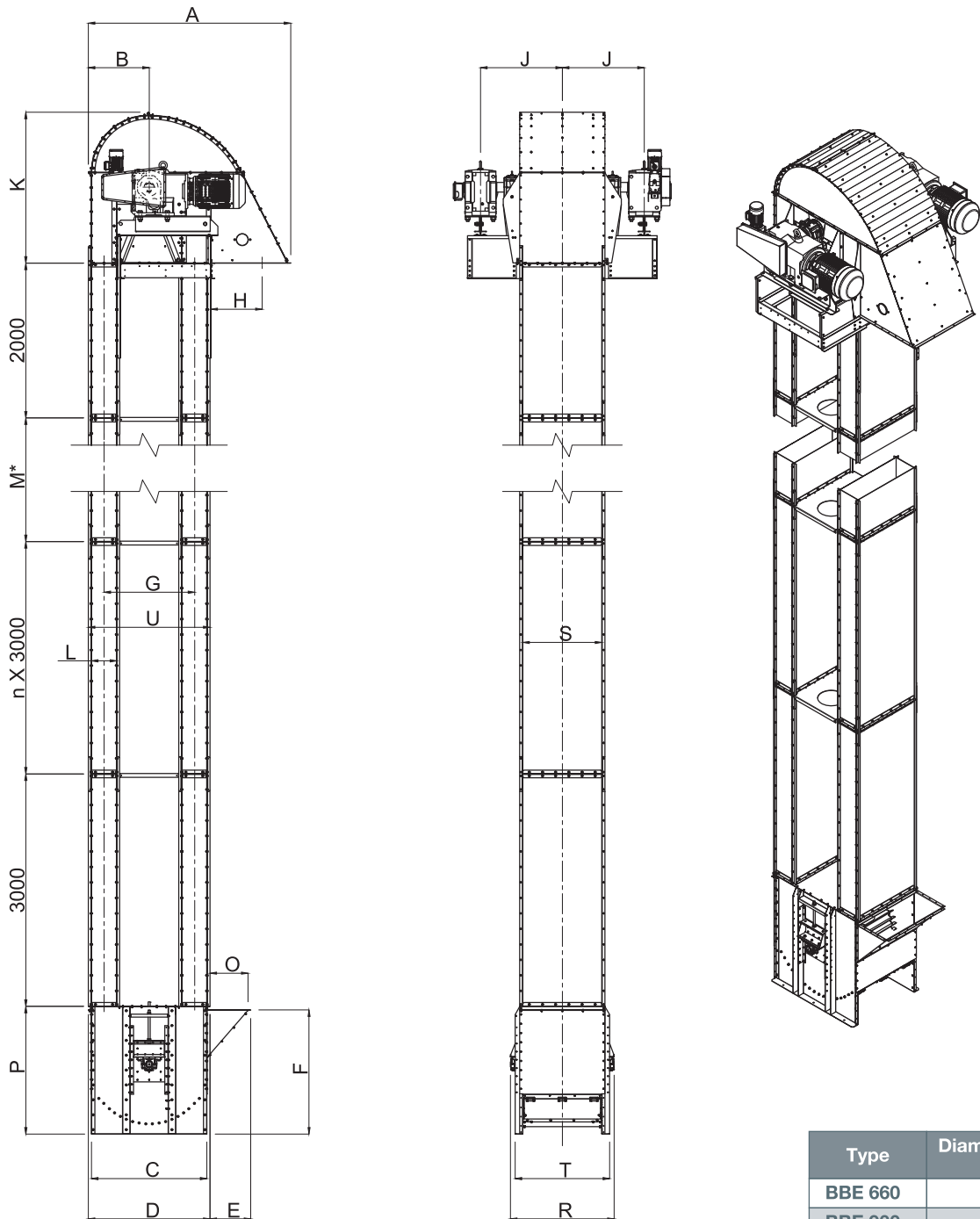
Casing	Standard	Pre-galvanised high tensile steel S235 Z450
	Optional	Pre-galvanised S235 Z600 Hot-dip-galvanised S235 Z900 Stainless steel Painted steel
Wear resistant lining	Standard	UHMW-PE, antistatic, 4 mm
	Optional	Hardox® steel, 4 mm
Belt	Standard	Oil-resistant acc. DIN22102 Self-extinguishing acc. DIN22103 Antistatic acc. DIN22104 Polyester polyamide fabrics Black color
	Optional	Food-grade White color PVC material
Buckets	Standard	HD-PE
	Optional	Mild steel Stainless steel Nylon Polyurethane
Sensors	Standard	Rotation sensor
	Optional	Misalignment sensor Overflow sensor Bearing temperature sensor Belt tensioning sensor
ATEX	Standard	Zone 21 inside / ATEX free outside
	Optional	Zone 21 inside / Zone 22 outside
Optional accessories		Inlet module Outlet module Lateral self-dosing inlet Lateral cover for spot filters or dust aspiration chute Inspection window Inspection platform with ladder Hinged explosion relief panel with sensor and chimney Thermal extension junctions Supporting legs



Type	Diameter belt disc mm
BBE 180	400
BBE 280	500
BBE 330	500
BBE 370	600

Type	A mm	B mm	C mm	D mm	E mm	F mm	G mm	H mm	J mm	K mm	L mm	O mm	P mm	R mm	S mm	T mm	U mm
BBE 180	1580	432	810	885	275	973	594	365	415	1175	210	240	1020	470	285	430	884
BBE 280	1670	512	950	1025	325	1073	714	365	530	1200	230	290	1120	540	360	480	1024
BBE 330	1760	562	1050	1125	425	1173	764	365	585	1223	280	340	1220	610	410	530	1124
BBE 370	1850	600	1150	1225	1500	1273	860	400	615	1250	280	390	1320	680	460	580	1220

M\* = The case assembly can be long 500mm, 1000mm, 2000mm, 3000mm



Type	Diameter belt disc mm
BBE 660	750
BBE 900	750
BBE 1550	750

Type	A mm	B mm	C mm	D mm	E mm	F mm	G mm	H mm	J mm	K mm	L mm	O mm	P mm	R mm	S mm	T mm	U mm
BBE 660	2460	710	1337	1417	525	1600	1017	665	925	1780	325	490	1650	1070	750	950	1417
BBE 900	2615	786	1492	1572	525	1600	1172	665	1060	1950	325	490	1650	1340	1020	1220	1572
BBE 1550	2760	1050	1610	1690	706	1745	1277	750	1365	2060	335	655	1800	1950	1660	1830	1692

M\* = The case assembly can be long 500mm, 1000mm, 2000mm, 3000mm

